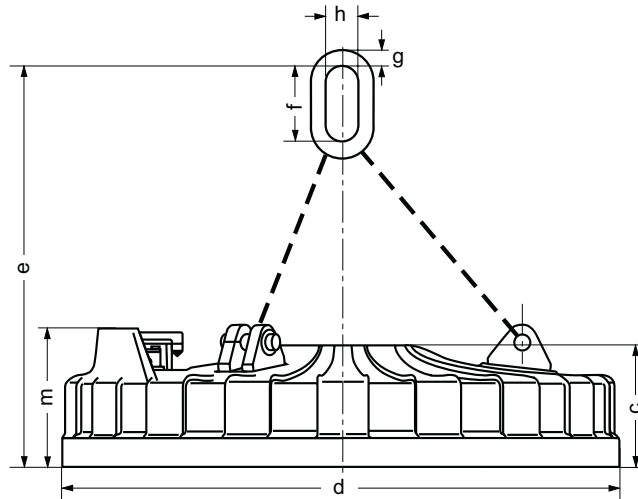


Circular Lifting Magnet Type LMR L

STEINERT Elektromagnetbau GmbH • Widdersdorfer Str. 329-331, 50933 Köln • Tel.+49 (0) 221 49 84 0 • Fax +49 (0) 221 49 84 102 • sales@steinert.de



Type	Rated Power Input approx. kW	Duty cycle (VDE 0580) %/10 min.	Dimensions							Load capacity of chain suspension kg	Housing...	Weight approx. kg
			c	d	e	f	g	h	m			
LMR 110 L	6,9	75	267	1.180	865	180	26	100	323	6.500	with	1.050
LMR 130 L	8,8		282	1.350	955	200	32	110	330	11.000	rips	1.450
LMR 150 L	11,0		324	1.500	1.080				358			2.050
LMR 160 L	12,5		350	1.600	1.300	340	45	180	372	21.000		2.500
LMR 180 L	16,0		390	1.800	1.350				430			3.600
LMR 200 L	19,5	401	2.000	1.410				480	32.000		4.750	
LMR 220 L						350	50	190			without	
LMR 240 L	37,5	60	515	2.435	1.620				640	32.000	rips	8.750
LMR 260 L	39,0		525	2.600	1.850				610			10.200
LMR 280 L	48,0		555	2.803	1.910	430	63	220	730	40.000		12.600
LMR 320 L	56,0		610	3.215	2.025				756			18.600

Nominal voltage 220 V GS

Standard design: LMR 110 - 150: Cabel terminal box with 1 chamber / LMR 160 - 320: Cable terminal box with 2 chambers

Type	Tear-off force at air gap Δ of:			Approx. lifting capacity-standard values* (kg)			
	$\frac{d}{300}$ Magnet cold kN	$\frac{d}{300}$ Magnet warm kN	$\frac{d}{20}$ Magnet warm kN	Pig iron 3 t/m ³	Scrap type		Turnings 1,2 t/m ³
					Solid scrap 1 1,5 t/m ³	Solid scrap 2/ Shredded scrap 0,8 t/m ³	
LMR 110 L	230	200	19,4	445	270	160	230
LMR 130 L	276	243	27,8	625	400	230	340
LMR 150 L	258	319	43,1	895	565	325	475
LMR 160 L	414	365	49,5	1.060	670	400	565
LMR 180 L	542	479	72,2	1.500	950	560	800
LMR 200 L	660	579	84,7	2.045	1.250	725	1.050
LMR 220 L							
LMR 240 L	1.040	882	180	3.800	2.400	1.450	2.050
LMR 260 L	1.154	1.002	221	4.650	2.950	1.750	2.500
LMR 280 L	1.366	1.178	264	5.700	3.600	2.150	3.050
LMR 320 L	1.770	1.510	332	7.500	5.100	3.000	4.300

*at service temperature, resulting from 5 hours operation with 50% duty cycle/10 min