

Steinert Lifting Magnets for Handling Wire Bundles

STEINERT Elektromagnetbau GmbH • Widdersdorfer Str. 329-331, D-50933 Köln-Germany • Tel.+49(0)221 4984 0 • Fax +49(0)221 4984 102 • sales@steinert.de



Loosely and tightly banded wire bundles with horizontal axis are handled very safely by means of these magnets.

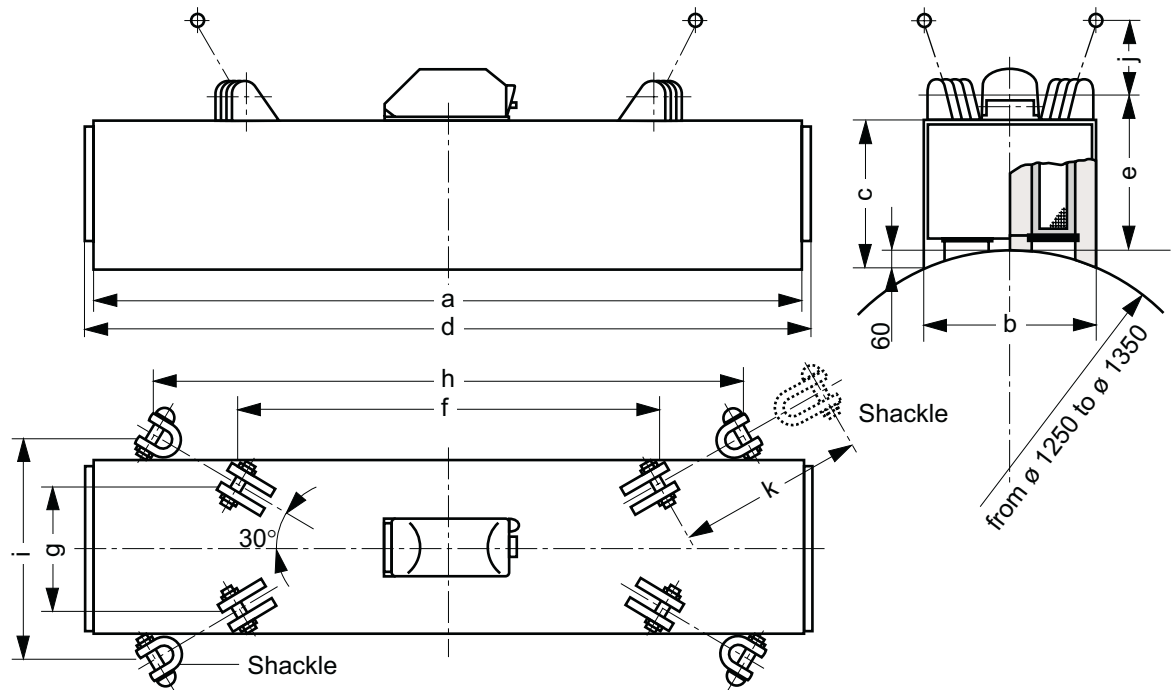
The use of a magnet offers the following advantages:

- Ropes or C-hooks need not be used.
- The bundles will not become damaged (torn).
- The crane driver alone can do all work.
- The bundles can be piled up on smallest room.

The size of the magnet depends on the length of the bundles (please see drawing and table). If the magnet is long enough, several individual bundles can be seized during one lifting operation.

Like all other STEINERT lifting magnets, also the magnets for handling wire bundles are properly and solidly constructed. The centre pole and the slanting outer poles are suitable for the different bundle diameters.

Chains with shackle (DIN 5687/DIN 5688/DIN 82101 - Grade 8).



Technische Änderungen vorbehalten • Subject to technical alterations • Sous réserve d'éventuelle modification technique

LMQ 56... BP DR	Rated Power Input approx. (cold) kw	Plug and socket device resp. terminal box	Dimensions											Shackle C... DIN 82101	Load capacity of chain suspension kg	weight approx. kg
			a	b	c	d	e	f	g	h	i	j	k			
100	7	D64	1000	570	507	1050	492	650	430	1100		512	574	1,6	5600	1500
160	10		1600		497	1650	497	1000	400	1500		552	623	2,5	8800	2300
200	12		2000			2050		1200		1700						2850
260	15		2600		477	2650	492	1500		2040						3450
300	17	D58	3000	560		3050		1700		2240	690	588	666	3	14000	4100
340	19,5		3400			3450		1900	380	2440						4700
360	20		3600		497	3650	512	2000		2540		685	753		18000	5050
400	21,5	K8-6	4000			4050		2200		2740				4		5600
460	26		4600		477	4650	502	2500	350	3090		686	766		22000	6100

Voltage 220 V DC. Other voltages on request. Duty circle 60% / 10 min (VDE)