

Battery magnet

STEINERT Elektromagnetbau GmbH • Widdersdorfer Str. 329-331, D-50933 Köln • Tel.+49 (0) 221 49 84 0 • Fax +49 (0) 221 49 84 102 • sales@steinert.de

Battery magnets, series LMQ 25... can be used for the transport of steel sheets, billets, profiles etc., without requiring connection to the mains.

A greater than twofold safety level is required for transport (see table).

In cases where safety is less than twofold, we recommend consultation with us. With the exception of the front cover plates, the entire battery magnet housing is made of cast steel and features guide hand grips on the front side for ease of handling.

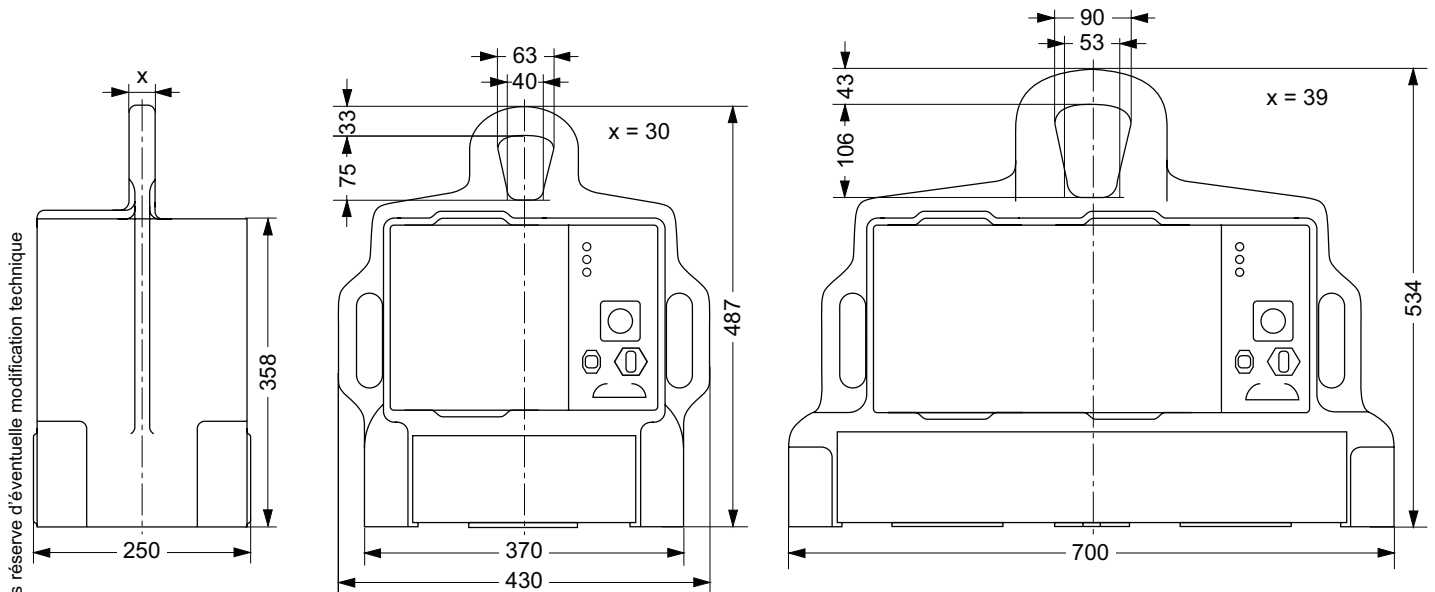
The electrical part (plug-in unit) comprises the power supply device for charging the batteries and all control and monitoring components.

The battery or batteries and the plug-in unit are installed in the cast housing to ensure protection against damage.

A 2.5 m long mains cable (charging cable) is supplied with the magnet.

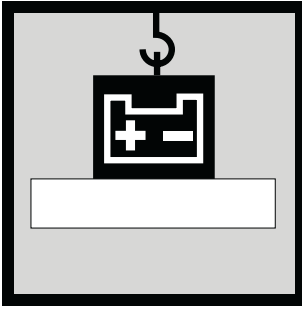
Other features include:

- automatic counter-excitation
- acoustic and visual warning signals when the battery or batteries need recharging
- automatic charging control
- automatic lock feature prevents start up when battery charge is insufficient
- Break-function (in case of remote control)



Technische Änderungen vorbehalten • Subject to technical alterations • Sous réserve d'éventuelle modification technique

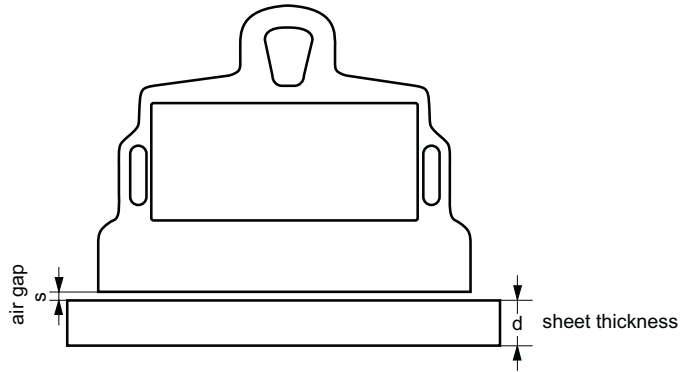
Technical Data	LMQ 25 37 SB	LMQ 25 70 SB
Tear-off force acc. to VDE 0580 (air gap b/300)	30 kN	60 kN
Rated power input (cold)	approx. 115 Watt	approx. 230 Watt
Operating voltage	12 V GS	2 x 12 V GS
Duty cycle	100%	100%
Mains for battery charging	230 V / 50 Hz	230 V / 50 Hz
Battery charging time	up to 14 hours	up to 14 hours
Battery capacity	42 Ah	2 x 42 Ah
Discharging time at 50% duty cycle	approx. 8 hours	approx. 8 hours
Protection	IP 23	IP 23
Lifting capacity at twofold safety	2200 kg	4400 kg
Suspension ear for single hook	No. 1-4 DIN 15401	No. 2,5 - 8 DIN 15401
Weight	110 kgs	approx. 220 kgs



Battery magnet

STEINERT Elektromagnetbau GmbH • Widdersdorfer Str. 329-331, D-50933 Köln • Tel.+49 (0) 221 49 84 0 • Fax +49 (0) 221 49 84 102 • sales@steinert.de

Lifting capacity at full pole coverage and twofold safety.



Type LMQ 25 37 SB

Lifting capacity of steel sheet (kgs)					
s \ d	0	0,5	1	2	4
80	2000	1500	1200	830	350
30	1700	1150	1000	750	300
15	680	580	500	400	230
8	250	230	200	180	130
6	230	160	140		
4	110	90	80		
2	50	40	35		

Type LMQ 25 70 SB

Lifting capacity of steel sheet (kgs)					
s \ d	0	0,5	1	2	4
80	4000	3300	2500	1600	700
30	3400	2300	2000	1500	600
15	1400	1200	1000	750	450
8	500	450	400	350	250
6	460	320	280		
4	220	180	160		
2	100	80	70		

Lifting capacity of round steel (kgs)				
s \ d	0	0,5	1	2
450	1000	750	500	300
250	900	650	450	250
100	700	550	400	220

Lifting capacity of round steel (kgs)				
s \ d	0	0,5	1	2
450	1900	1400	950	550
250	1700	1200	850	450
100	1300	1000	750	400

Dimensions "s" and "d" in mm.
 (In practice, only lifting capacity values at air gaps of 0.5 mm or higher are taken into account.)

The following special accessories are offered as options for easier and safer handling of large, cumbersome loads:

- 1.5 m remote control cable with control switch and lockable connecting plug
- guide bail with remote switch
- infrared remote control unit (model: LMQ 25 ... SBIT)
- radio remote control (model: LMQ 25 ... SBFT)

The infrared or radio remote control units enable users to enjoy greater convenience and safety when switching the battery magnets on and off. The battery must be in view of the operator, however.

Local frequencies must be taken into account when using the radio remote control. The electronics for these optional features are found in the plug-in unit.